

## Sinks and Bowls

### Installation Manual

# EN

## Original Installation Manual

## Contents

1	Introduction.....	2
2	Symbols.....	2
3	Regulations and standards.....	3
4	Serviceability.....	3
5	Position and placement (SBL10 series).....	4
6	Position and placement (SBL17 series).....	7
7	Position and placement (SBL22 series).....	11
8	Position and placement (SBL23 series).....	12
9	Position and placement (SBL300 series).....	15
10	Position and placement (SBL330/340 series).....	16
11	Position and placement (SSK10/11/12 series).....	20
12	After installation.....	22
13	Technical specifications.....	22
14	Servicing.....	23
15	Questions / customer service.....	23

## 1. Introduction

This is the installation manual for the Thetford bowls and sinks. The manual is meant for competent installers who will install the bowl or sink in a caravan, camper, boat or holiday home. Read the information and instructions carefully and follow them strictly to install the bowl or sink safely and correctly.

Also read the warnings in the user manual before testing the bowl or sink after installation.

Our policy is one of continuous development and improvement. Specifications and illustrations may change subsequent to publication.



If the appliance is not installed in accordance with national and European regulations, rules and standards this will void the warranty.

## 2. Symbols

Key to symbols:



**Warning.** Risk of injury and/or damage.



**Attention.** Important information.



**Note.** Additional information.

### 3. Regulations and standards



Do not modify this appliance, unless the modification is authorised and carried out by the manufacturer or their agent.



Use only genuine and approved parts and materials.



Wear the correct Personal Protective Equipment during the installation. Also follow the applicable safety regulations.

EN

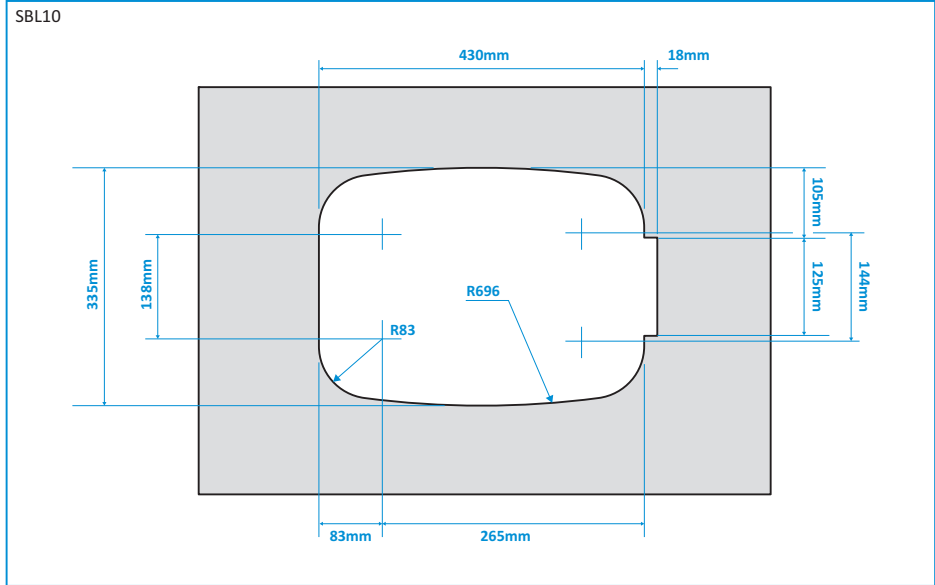
### 4. Serviceability

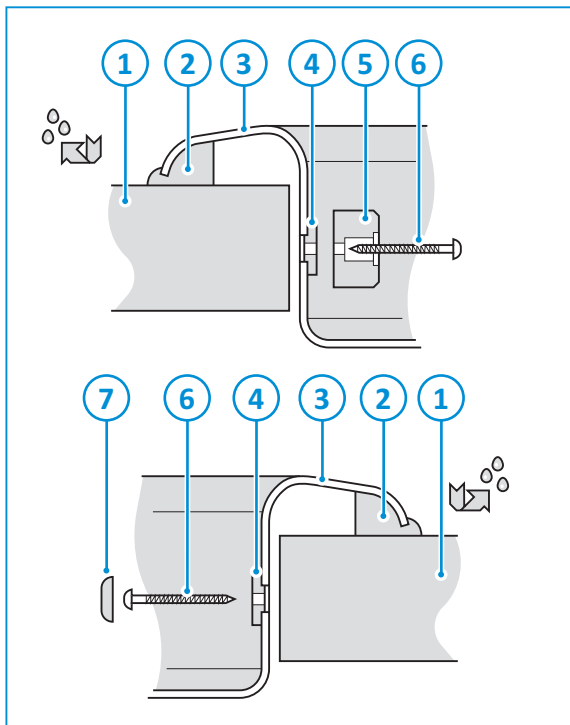
The installer of Thetford products is responsible for proper installation to ensure the correct functionality and serviceability of the appliance. In terms of serviceability, this means that a dealer or an authorised Thetford service partner must be able to de-install and re-install the Thetford products within the time that is allowed according to the Thetford time-list, using standard tools and equipment.

This is to claim any warranty during the period of 3 years after purchase date. The serviceability of the product is also included in the audit. In case of any queries on this subject, please contact the Thetford local service representative before installing the product.

## 5. Position and placement (SBL10 series)

- Place the template on the worktop to check the dimensions.
- Install the appliance in a worktop cut-out prepared as shown.





1. Worktop
2. Optional rubber seal
3. Sink pressing
4. Nylon washer
5. Glass lid bump stop
6. No.6 wood screw
7. Nylon cap



There are 3 fixing positions, 2 on either side of the bowl towards the rear and one at the front which also serves as the glass lid stop.

- Fit the optional rubber seal [2] to the bowl, prior to fitting it into the aperture.
- Place the bowl into the prepared aperture in the worktop and open the glass lid.



Ensure that the rubber seal [2] is seated correctly.

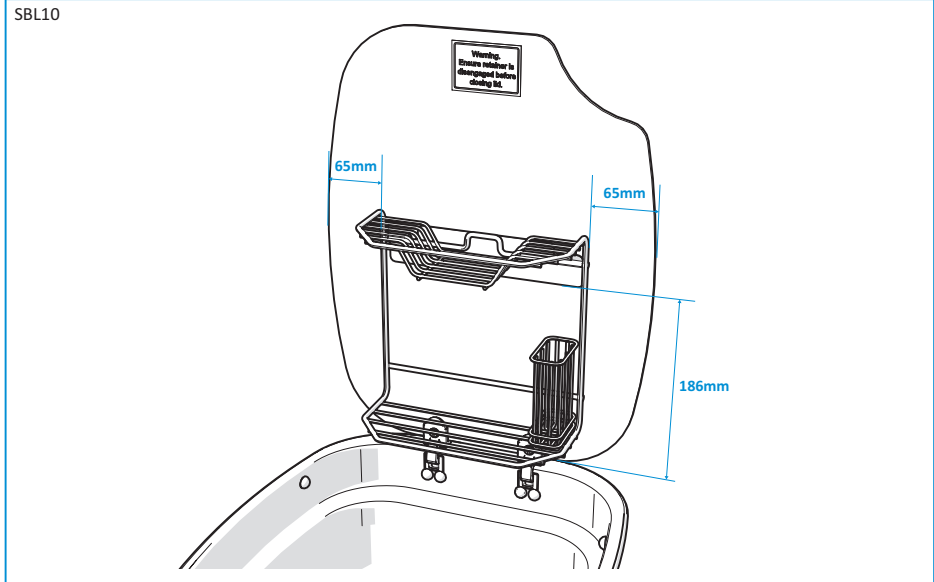
- Apply pressure to the base of the bowl and drill 3 pilot holes [1 for each fixing position] with a 2.5mm drill.



Slightly angle the drill down so that when the screw is applied, it pulls the bowl down to the worktop. Do not angle the drill by more than approximately 10°, or the screw will apply uneven pressure around the fixing hole, which could result in damage.

- Secure the washer [4] and the glass lid bump stop [5] at the front fixing position with a 25mm wood screw [6].
- Secure the washers [4] at the rear fixing positions with 15mm wood screws [6].
- Apply pressure to the base of the bowl towards the rear and fix the two rear fixing screws at either side of the bowl.
- Apply pressure to the base of the bowl towards the front and fix the front fixing screw with the glass lid bump stop.
- Clip the 2 grey nylon caps [7] over the rear fixing screws.

- Attach the rack bracket to the lid with sealant as shown.

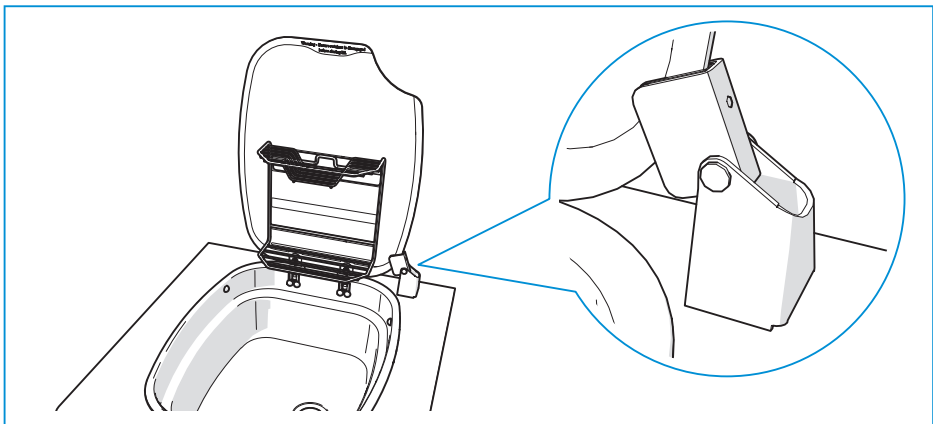


The curing time and the required pressure depend on the type of sealant. Always follow the instructions of the bonding manufacturer.



Thetford recommends using a clear silicone sealant.

- Position the lid retainer as shown.
  - Mark the two holes through the two holes in the base of the lid retainer.
  - Drill the two pilot holes.
  - Screw the lid retainer to the worktop.



Screws are not supplied by Thetford.

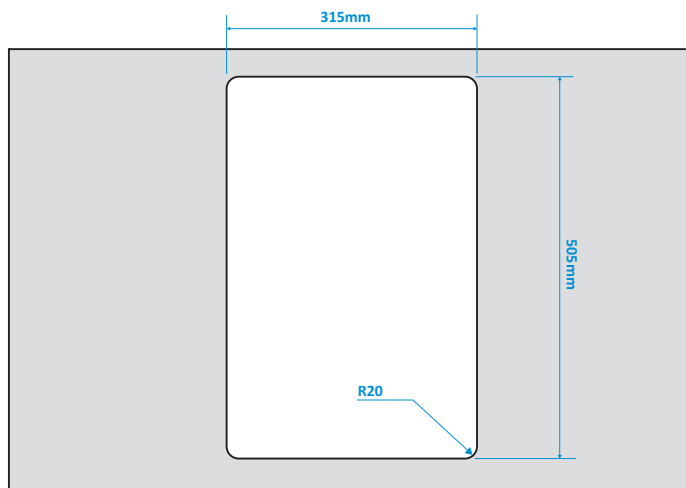
## 6. Position and placement (SBL17 series)



To prevent the ingress of water, the bowl/sink is supplied with a peripheral seal, bonded to the underside of the trim. Take care when handling the bowl not to damage this seal.

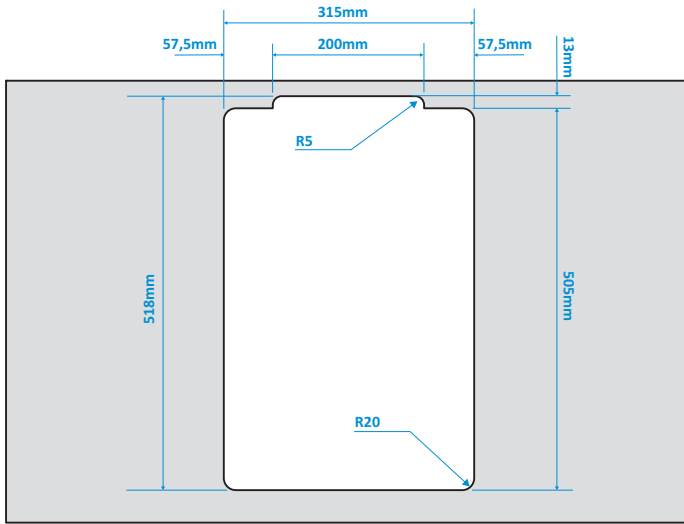
- Place the template on the worktop to check the dimensions.
- Install the appliance in a worktop cut-out prepared as shown.

SBL170

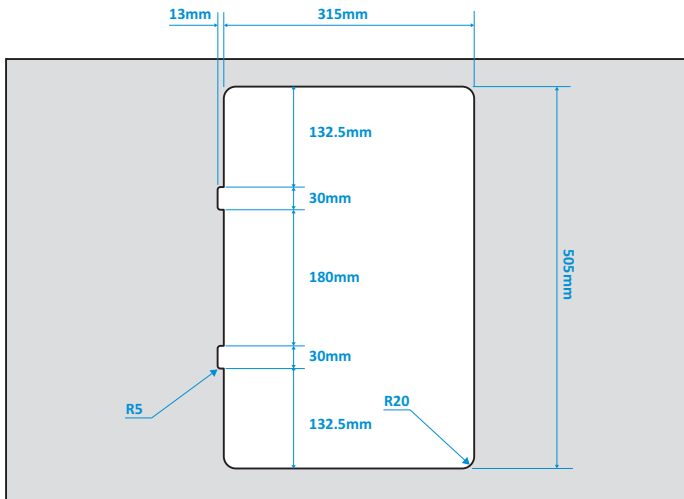


EN

SBL171



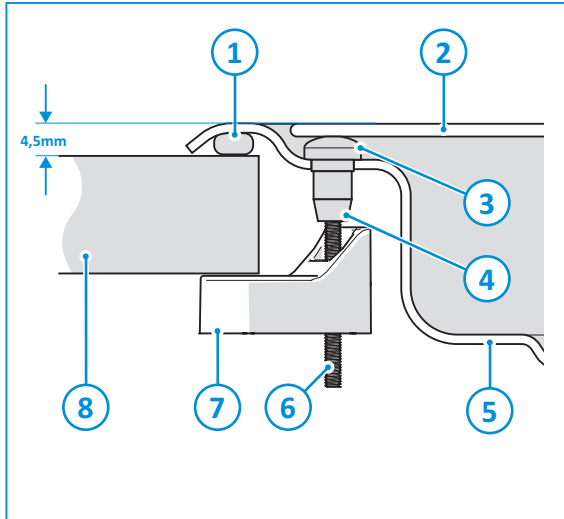
SBL172



Bowls/sinks fitted with a glass lid require an additional cut-out to provide clearance for the glass lid hinges.



## Fixing system 1



1. Optional rubber seal
2. Glass lid
3. Glass lid bump stop
4. Clamping bush
5. Bowl/sink
6. Clamping screw
7. Clamping arm
8. Worktop

EN

- Fit the optional rubber seal (1) to the bowl/sink, prior to fitting it into the aperture.
- Remove the 4 glass lid bump stops (3), that are fitted into clamping bushes (4), to gain access to the clamping screws (6).
- Ensure that the 4 clamping arms (7) are rotated against the side of the bowl/sink (5).
- Place the bowl/sink into the prepared aperture in the worktop and open the glass lid (2), if present.



Ensure that the rubber seal (1) is seated correctly.

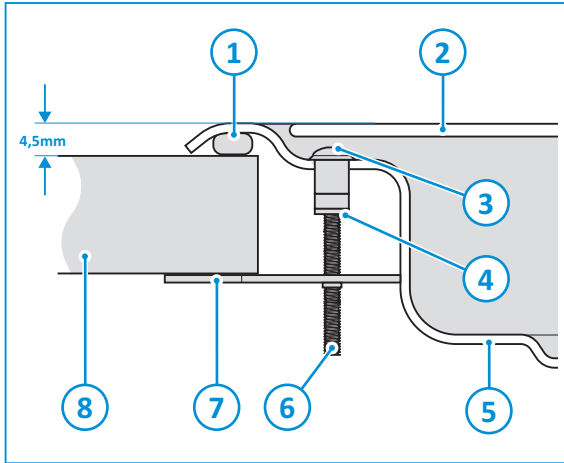
- Tighten the 4 clamping screws until the bowl/sink is firmly fixed to the worktop (8) and the rubber seal is compressed sufficiently to prevent the ingress of water.



Recommended torque of 1Nm.

- Place the 4 glass lid bump stops (3) back into the clamping bushes (4).

## Fixing system 2



1. Optional rubber seal
2. Glass lid
3. Glass lid bump stop
4. Rivet nut
5. Bowl/sink
6. Clamping screw
7. Clamping bracket
8. Worktop

- Fit the optional rubber seal (1) to the bowl/sink, prior to fitting it into the aperture.
- Place the bowl/sink into the prepared aperture in the worktop and open the glass lid (2), if present.



Ensure that the rubber seal (1) is seated correctly.

- Place the rivet nuts (8) and clamping screws (7) through the screw position holes.
- Ensure the clamping screws remains vertical and fit the clamping brackets (6) underneath the worktop.
- Tighten the 4 clamping screws until the bowl/sink is firmly fixed to the worktop (5) and the rubber seal is compressed sufficiently to prevent the ingress of water.

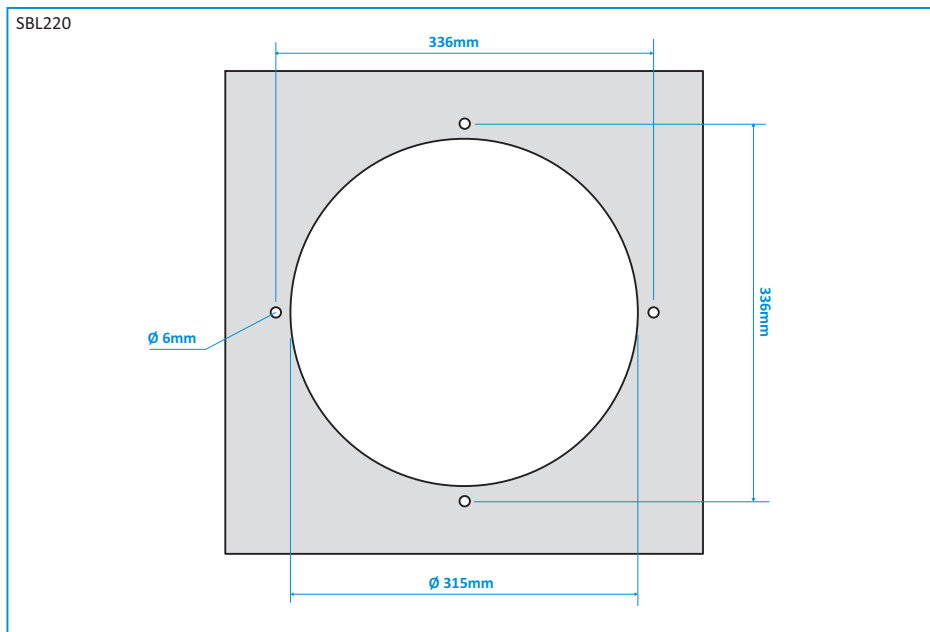


Recommended torque of 1Nm.

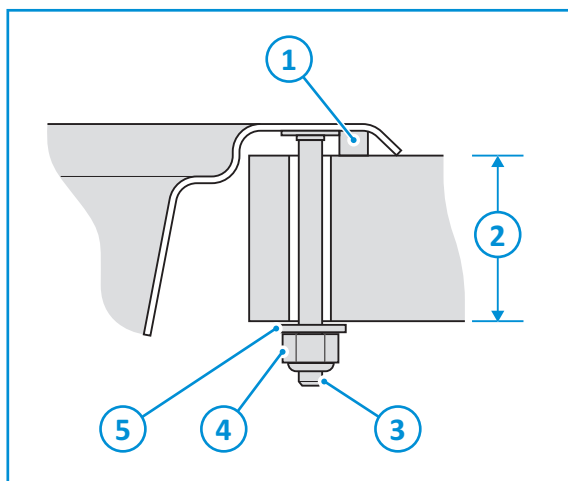
- Place the 4 glass lid bump stops (3) into the rivet nuts (8).

## 7. Position and placement (SBL22 series)

- Place the template on the worktop to check the dimensions.
- Install the appliance in a worktop cut-out prepared as shown.



EN



1. Self-adhesive foam seal
2. 15-30mm worktop
3. Fixing screw
4. Self-locking nut
5. Steel washer

The bowl is supplied with 4mm fixing screws [3] attached and equally spaced around the rim of the bowl. A self-adhesive foam seal [1], which prevents water penetration, is already attached.

- Place the bowl into the prepared aperture in the worktop.
- Place a steel washer [5] and self-locking nut [4] onto each fixing screw [3].
- Tighten each nut with a 7mm spanner to clamp the bowl to the worktop.

## 8. Position and placement (SBL23 series)

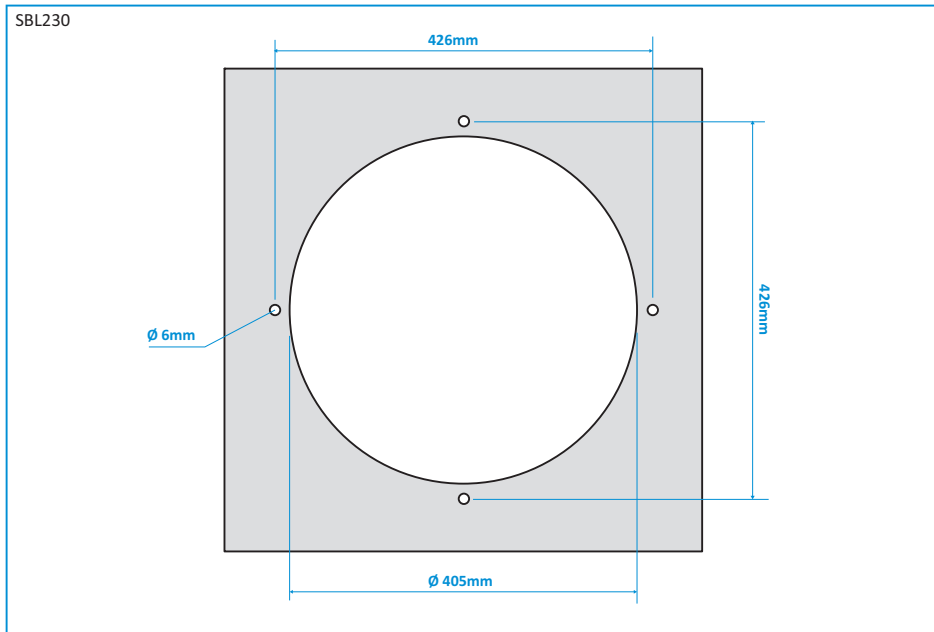
- Place the template on the worktop to check the dimensions.
- Install the appliance in a worktop cut-out prepared as shown.



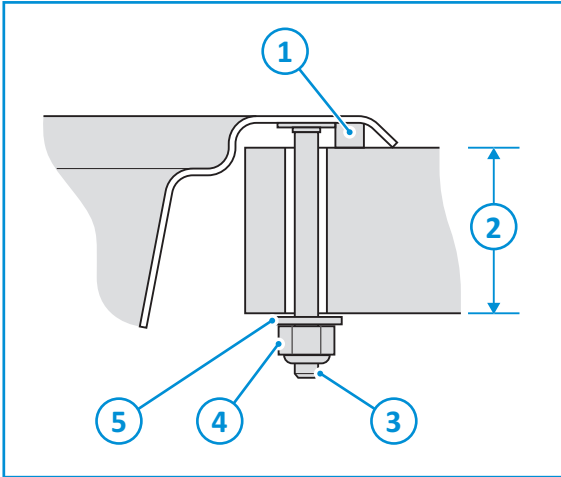
For fixing systems 2 and 3, the 4 Ø6mm holes and corresponding 426mm distances are not required.



For fixing system 3, the bowl is fitted with 4 Ø3.5mm x 25mm screws.



## Fixing system 1



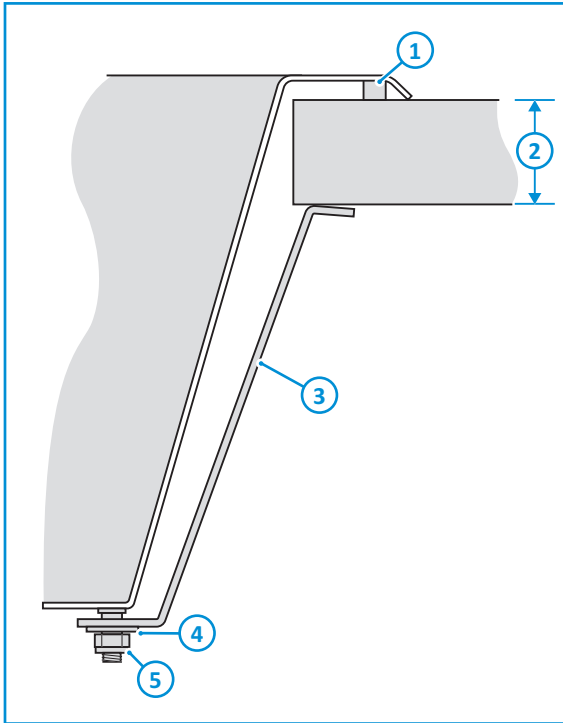
1. Self-adhesive foam seal
2. 15-30mm worktop
3. Fixing screw
4. Self-locking nut
5. Steel washer

EN

The bowl is supplied with 4mm fixing screws (2) attached and equally spaced around the rim of the bowl. A self-adhesive foam seal (1), which prevents water penetration, is already attached.

- Place the bowl into the prepared aperture in the worktop.
- Place a steel washer (4) and self-locking nut (3) onto each fixing screw (2).
- Tighten each nut with a 7mm spanner to clamp the bowl to the worktop.

## Fixing system 2

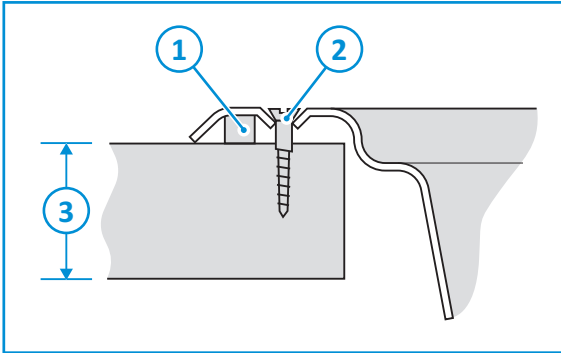


1. Self-adhesive foam seal
2. 15-30mm worktop
3. Clamping bracket
4. Washer
5. Self-locking nut

The bowl is supplied with under-bowl fixings, equally spaced around the base of the bowl. A self-adhesive foam seal [1], which prevents water penetration, is already attached.

- Place the bowl into the prepared aperture in the worktop.
- Place a clamping bracket [3] and washer [4] onto each screw.
- Keep the clamping bracket and washer in place with a self-locking nut [5].
- Check if each clamping bracket is placed correctly against the worktop.
- Tighten each nut to clamp the bowl to the worktop.

## Fixing system 3



1. Self-adhesive foam seal
2. Fixing screw
3. 15-30mm worktop

EN

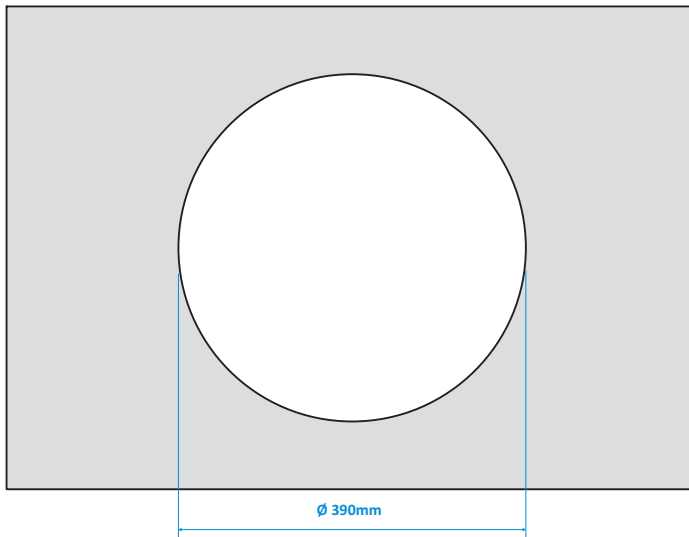
There are 4 fixing holes equally spaced around the rim of the bowl. A self-adhesive foam seal (1), which prevents water penetration, is already attached.

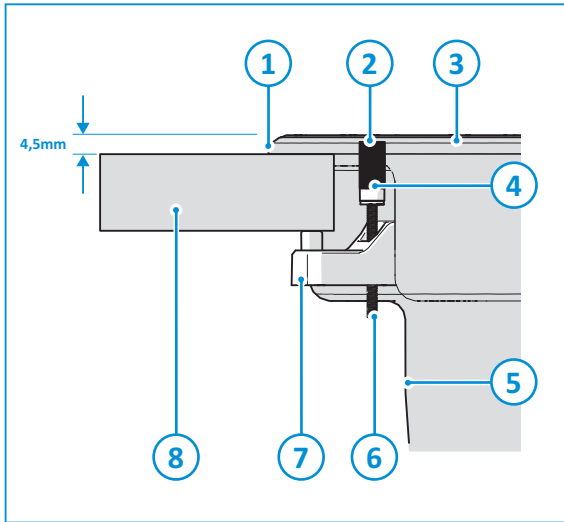
- Place the bowl into the prepared aperture in the worktop.
- Use the fixing screws (2) to fix the bowl to the worktop.

## 9. Position and placement (SBL300 series)

- Place the template on the worktop to check the dimensions.
- Install the appliance in a worktop cut-out prepared as shown.

SBL300





1. Rubber seal
2. Glass lid bump stop
3. Glass lid
4. Clamping bush
5. Bowl
6. Clamping screw
7. Clamping arm
8. Worktop

- Fit the rubber seal [1] to the bowl, prior to fitting it into the aperture.
- Remove the 4 glass lid bump stops [2], that are fitted into clamping bushes [4], to gain access to the clamping screws [6].
- Place the bowl into the prepared aperture in the worktop and open the glass lid [3].



Ensure that the rubber seal [1] is seated correctly.

- Ensure that the 4 clamping arms [7] are rotated against the side of the bowl [5].
- Tighten the 4 clamping screws until the bowl is firmly fixed to the worktop [8] and the rubber seal is compressed sufficiently to prevent the ingress of water.



Recommended torque of 1Nm.

- Place the 4 glass lid bump stops [2] back into the clamping bushes [4].

## 10. Position and placement (SBL330/340 series)

- Place the template on the worktop to check the dimensions

The template provides two options:



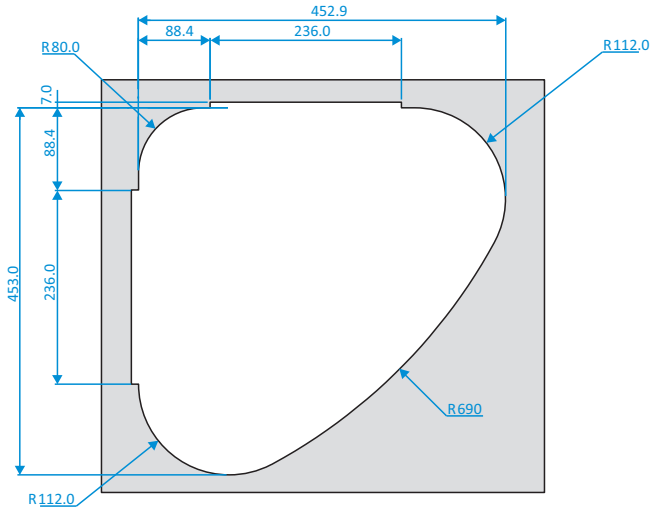
- A for surface mounting.
- B for flush mounting. Flush mounting has the extra rebate, not a full cut-out for the area between A and B.

### Surface mounting

- Install the appliance in a worktop cut-out prepared as shown.

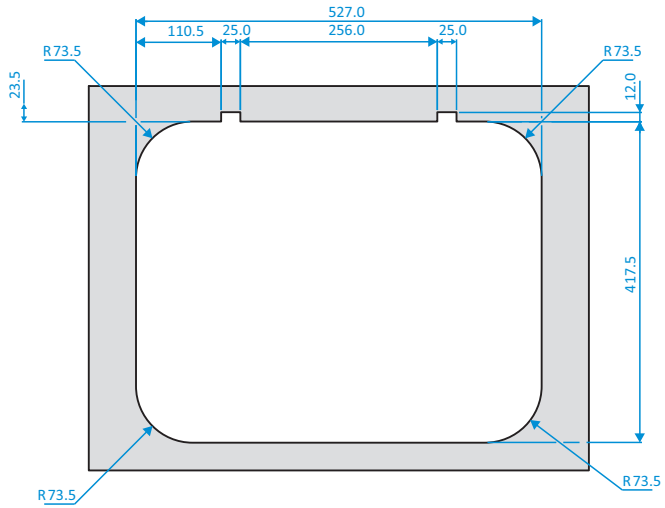


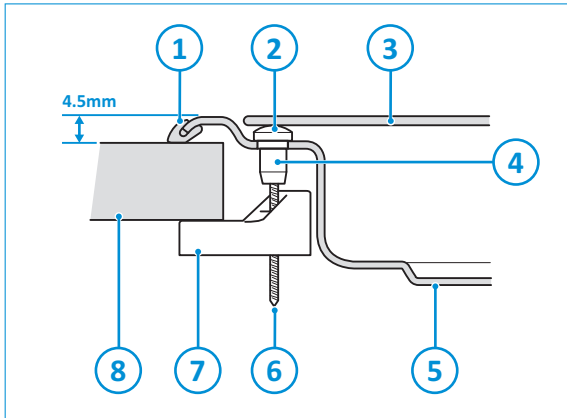
SBL330



EN

SBL340

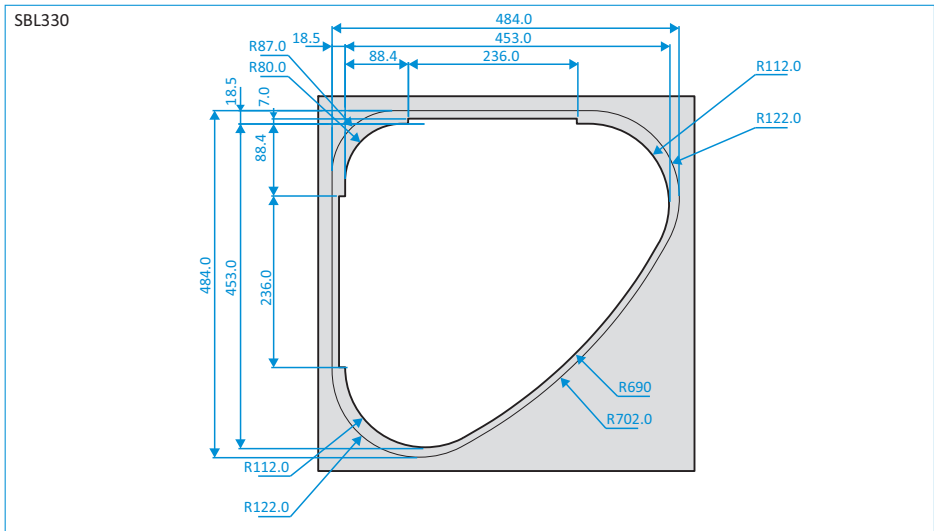


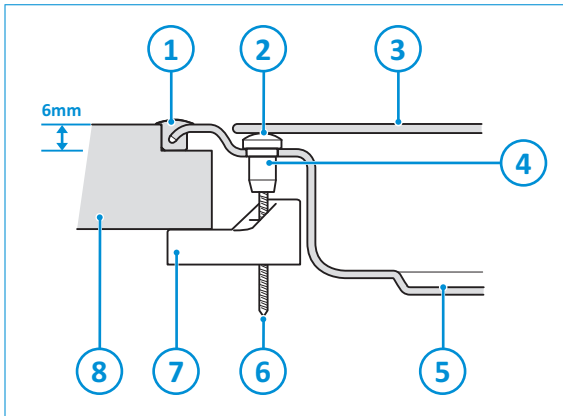
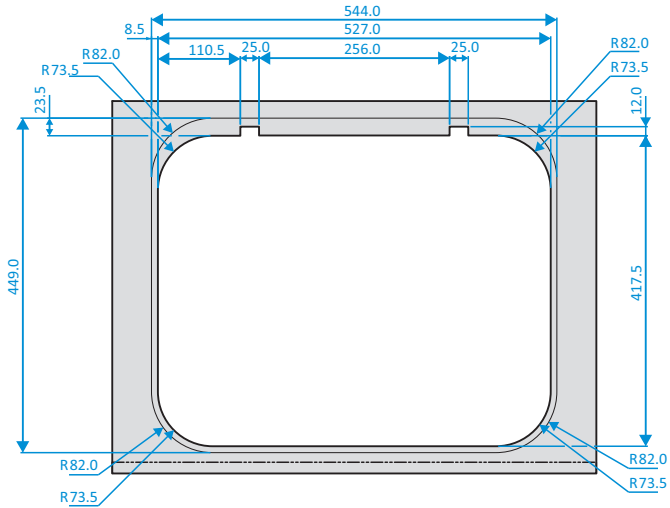


1. Rubber seal
2. Glass lid bump stop
3. Glass lid
4. Clamping bush
5. Bowl
6. Clamping screw
7. Clamping arm
8. Worktop

## Flush mounting

- Install the appliance in a worktop cut-out prepared as shown.





1. Rubber seal
2. Glass lid bump stop
3. Glass lid
4. Clamping bush
5. Bowl
6. Clamping screw
7. Clamping arm
8. Worktop

- Fit the rubber seal [1] to the bowl, prior to fitting it into the aperture.
- Remove the 4 glass lid bump stops [2], that are fitted into clamping bushes [4], to gain access to the clamping screws [6].
- Place the bowl into the prepared aperture in the worktop and open the glass lid [3].



Ensure that the rubber seal [1] is seated correctly.

- Ensure that the 4 clamping arms [7] are rotated against the side of the bowl [5].
- Tighten the 4 clamping screws until the bowl is firmly fixed to the worktop [8] and the rubber seal is compressed sufficiently to prevent the ingress of water.

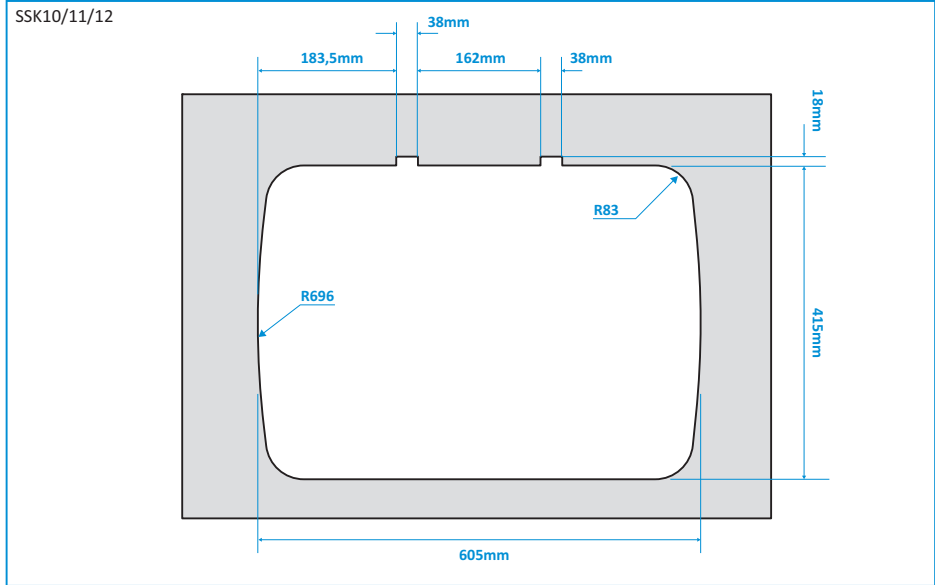


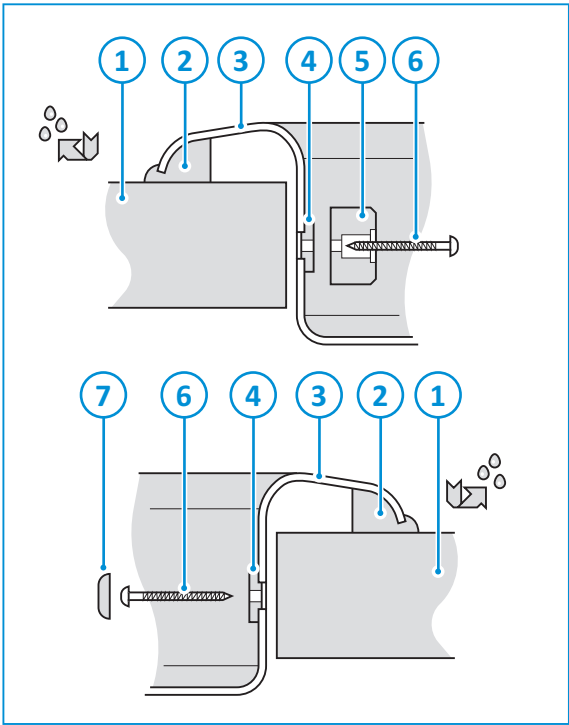
Recommended torque of 1Nm.

- Place the 4 glass lid bump stops [2] back into the clamping bushes [4].

## 11. Position and placement [SSK10/11/12 series]

- Place the template on the worktop to check the dimensions.
- Install the appliance in a worktop cut-out prepared as shown.





1. Worktop
2. Optional rubber seal
3. Sink pressing
4. Nylon washer
5. Glass lid bump stop
6. No.6 wood screw
7. Nylon cap



There are 4 fixing positions, 2 on either side of the sink.



The sink is not completely flat on the worktop and is slightly higher at either end. This is intentional to ensure a good watertight seal once fitted.

- Fit the optional rubber seal [2] to the sink, prior to fitting it into the aperture.
- Place the sink into the prepared aperture in the worktop and open the glass lid.



Ensure that the rubber seal [2] is seated correctly.

- Apply pressure to the base of the sink and drill 4 pilot holes [1 for each fixing position] with a 2.5mm drill. First, apply pressure to the base of the sink and drill the front and rear fixing position of the sink side. Then apply pressure to the drainer side and drill the front and rear fixing position of the drainer side.



Slightly angle the drill down so that when the screw is applied, it pulls the sink down to the worktop. Do not angle the drill by more than approximately 10°, or the screw will apply uneven pressure around the fixing hole, which could result in damage.



Take care when installing enamel sinks. Although the enamel is tough and durable, it can be damaged by over-tightening the fixing screws.

- Secure the washers [4] and the glass lid bump stops [5] at the front fixing positions with 25mm wood screws [6].
- Secure the washers [4] at the rear fixing positions with 15mm wood screws [6].

- Apply pressure to the base of the sink and fix the front and rear fixing screw of the sink side.
- Apply pressure to the drainer side and fix the front and rear fixing screw of the drainer side.
- Clip the 2 grey nylon caps (7) over the rear fixing screws.

## 12. After installation

- Ensure that all packaging materials have been removed.
- Ensure that the rubber seal is compressed sufficiently to prevent the ingress of water.

## 13. Technical specifications

**Table 1: Bowl specifications**

	SBL22 series	SBL23 series	SBL300 series		
Diameter	362mm	461mm	405mm		
Depth	127 or 103mm	127mm	145mm		



  

	SBL10 series	SBL17 series	SBL330 series	SBL340 series	SSK10/11/12 series
Length x width	472 x 362mm	550 x 360mm	480 x 480mm	540 x 445mm	630 x 470mm
Depth	158mm	135mm	100mm	100mm	137 or 152mm




## 14. Servicing

All servicing must be carried out by an approved competent person.

For service, please contact your authorised local Service Centre giving details of the model and serial number on the data badge plus date of purchase.

 <p>Unit 6 Brookfields Way, Manvers, Rotherham, S63 5DL TEL +44 (0) 844 997 1960 FAX +44 (0) 844 997 1961</p>		
	<b>Serial Number</b>	
	<b>Model Number</b>	
<b>Model Description</b>		

EN

<b>Model Description</b>			
	<b>Model Number</b>		 <p>Unit 6 Brookfields Way, Manvers, Rotherham, S63 5DL TEL +44 (0) 844 997 1960 FAX +44 (0) 844 997 1961</p>
	CSA MASTER CONTRACT: 2. 939		
	ASME A119.19.3-2008/CSA B. 4-08		
<b>Serial Number</b>			
<b>Production Date</b>			

## 15. Questions / customer service

- Visit [www.thetford.com](http://www.thetford.com).
- Contact Customer Service Thetford in your country. See the addresses on the back.

## EUROPEAN HEADQUARTERS

Thetford B.V.  
Nijverheidsweg 29  
P.O. Box 169  
4870 AD Etten-Leur  
The Netherlands

T +31 76 504 22 00  
F +31 76 504 23 00  
E [info@thetford.eu](mailto:info@thetford.eu)

## UNITED KINGDOM

Thetford Ltd.  
Unit 6  
Brookfields Way  
Manvers, Rotherham  
S63 5DL, England  
United Kingdom

T +44 844 997 1960  
F +44 844 997 1961  
E [info@thetford.eu](mailto:info@thetford.eu)

## GERMANY

Thetford GmbH  
Schallbruch 14  
D-42781 Haan  
Deutschland

T +49 2129 94250  
F +49 2129 942525  
E [info@thetford.eu](mailto:info@thetford.eu)

## FRANCE

Thetford S.A.R.L.  
Parc BUIROPLUS / Bâtiment 6  
18, Boulevard de la Paix  
95800 CERGY  
France

T +33 1 30 37 58 23  
F +33 1 30 37 97 67  
E [info@thetford.eu](mailto:info@thetford.eu)

## ITALY

Thetford Italy c/o Tecma s.r.l.  
Via Flaminia  
Loc. Castel delle Formiche  
05030 Otricoli (TR)  
Italia

T +39 0744 709071  
F +39 0744 719833  
E [info@thetford.eu](mailto:info@thetford.eu)

## SPAIN AND PORTUGAL

Mercè Grau Solà  
Agente para España y Portugal  
c/ Castellet, 36 bxs 2º  
08800 Vilanova i la Geltrú  
Barcelona  
España

T +34 938 154 389  
F not available  
E [info@thetford.eu](mailto:info@thetford.eu)

## SCANDINAVIA

Thetford B.V.  
Representative Office Scandinavia  
Hantverkaregatan 32D  
521 61 Stenstorp  
Sverige

T +46 31 336 35 80  
F +46 31 44 85 70  
E [info@thetford.eu](mailto:info@thetford.eu)

## AUSTRALIA

Thetford Australia Pty. Ltd.  
41 Lara Way  
Campbellfield VIC 3061  
Australia

T +61 3 9358 0700  
F +61 3 9357 7060  
E [info@thetford.eu](mailto:info@thetford.eu)  
[www.thetford.com.au](http://www.thetford.com.au)

## CHINA

Thetford China  
Rm. 1207, Coastal Building  
(East Block)  
Haide 3rd Road, Nanshan District  
Shenzhen, 518054  
China

T +86 755 8627 1393  
F +86 755 8627 1673  
E [info@thetford.cn](mailto:info@thetford.cn)  
[www.thetford.cn](http://www.thetford.cn)